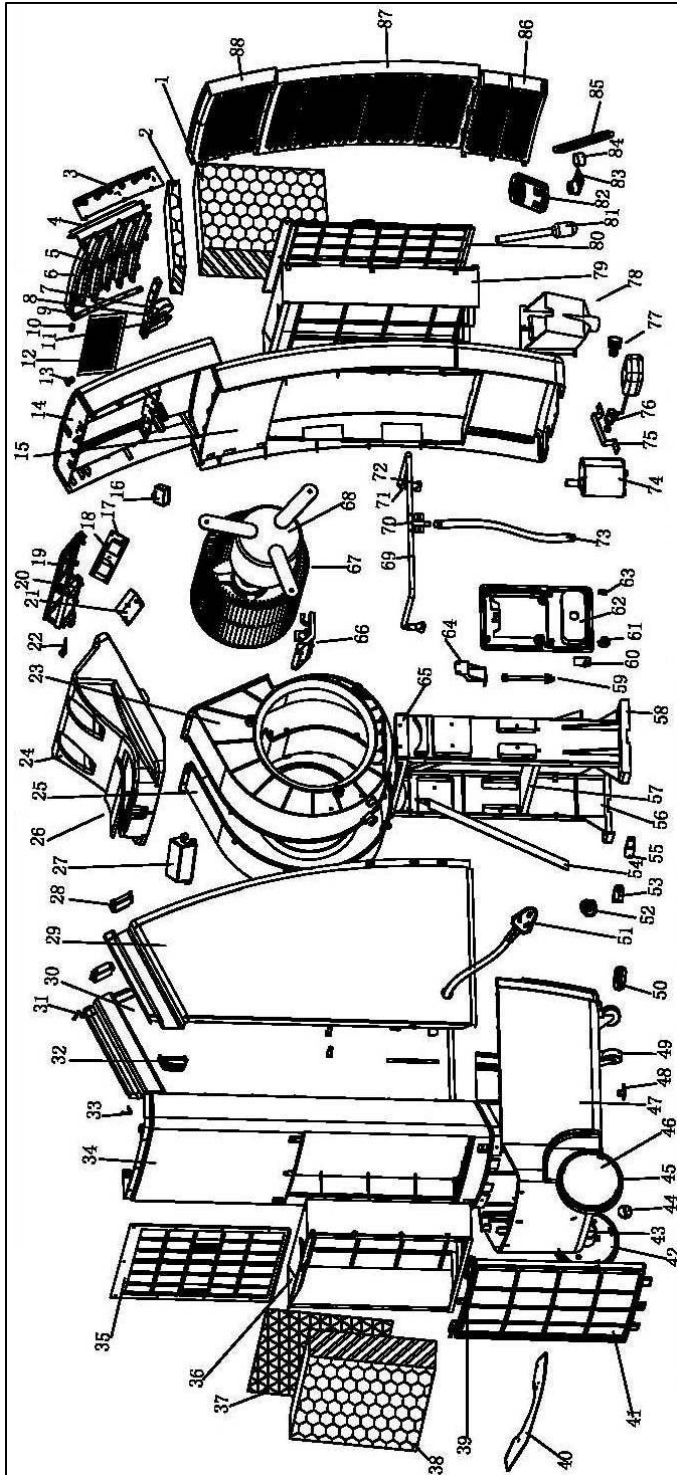


5. EXPLODED VIEW

5.1 NPE10 Exploded Diagram:



6. REPLACEMENT PARTS LIST

6.1 NPE10 Parts List:

<u>Location No.:</u>	<u>Part Description:</u>	<u>Qty.:</u>
NPE10-01	Front honeycomb cooling media (Vertical)	1
NPE10-02	Front honeycomb cooling media (Horizontal)	2
NPE10-03	Louvers left / right fixer	2
NPE10-04	Vertical louvers	5
NPE10-05	Louvers lever	1
NPE10-06	Horizontal louvers	6
NPE10-07	Swing motor	1
NPE10-08	Swing motor lever	1
NPE10-09	Louvers ending lever	2
NPE10-10	Louvers ending cap	12
NPE10-11	Axis wheel	1
NPE10-12	Mesh	1
NPE10-13	Remote control receiver window	1
NPE10-14	Air outlet front panel	1
NPE10-15	Air inlet front panel	1
NPE10-16	Capacitor	1
NPE10-17	Touch PCB board	1
NPE10-18	Touch PCB board plate	5
NPE10-19	IMD cover	1
NPE10-20	Control panel box	1
NPE10-21	Control panel	1
NPE10-22	Control panel fixer	6
NPE10-23	Right blower housing	1
NPE10-24	Top panel	1
NPE10-25	Left blower housing	1
NPE10-26	Top compartment	1
NPE10-27	Wiring box	1
NPE10-28	Top front left & right air block piece	1
NPE10-29	Right panel	1
NPE10-30	Left panel	1
NPE10-31	Front fixer	1
NPE10-32	Top rear left & right air block piece	1
NPE10-33	Rear fixer	1
NPE10-34	Rear panel	1
NPE10-35	Rear honeycomb cooling media back cover	1
NPE10-36	Rear honeycomb cooling media frame	1
NPE10-37	Filter	1
NPE10-38	Rear honeycomb cooling media	1
NPE10-39	Power cord wrap	2
NPE10-40	Water tank block piece	1
NPE10-41	Rear honeycomb cooling media front cover	1
NPE10-42	Wheel	2
NPE10-43	Wheel axis	2
NPE10-44	Wheel metal part	2
NPE10-45	Wheel rubber	2
NPE10-46	Wheel cover	2
NPE10-47	Water tank	1

NPE10-48	Drain plug	1
NPE10-49	Castor	2
NPE10-50		
NPE10-51	Power plug	1
NPE10-52	Power cord rubber wrap	1
NPE10-53	Power cord clip	5
NPE10-54	Blower housing supporter	2
NPE10-55	Wiring cap	2
NPE10-56	Vertical blower housing supporter	2
NPE10-57	Lower horizontal blower housing supporter	1
NPE10-58		
NPE10-59	Low water alarm sensor	1
NPE10-60	Min water position set	1
NPE10-61	Max water position set	2
NPE10-62	Water fill door frame	4
NPE10-63	Water fill door pushing open	1
NPE10-64	Low water alarm holder	1
NPE10-65	Upper horizontal blower housing supporter	1
NPE10-66	Water pipe holder	1
NPE10-67	Blower wheel	1
NPE10-68	Main motor	1
NPE10-69	Short water pipe	2
NPE10-70	T-distribution	1
NPE10-71	Elbow	2
NPE10-72	Y-distribution	2
NPE10-73	Water pump water pipe	1
NPE10-74	Water pump	1
NPE10-75	Water pump fixer	1
NPE10-76	Float valve	1
NPE10-77	Garden hose connector	1
NPE10-78	Water fill door	1
NPE10-79	Front honeycomb cooling media frame	1
NPE10-80	Front honeycomb cooling media cover	1
NPE10-81	Float ball	1
NPE10-82	Remote control	1
NPE10-83	Float ball holder	1
NPE10-84	Float ball indicator	1
NPE10-85	Water level indicator window	1
NPE10-86	Front lower mesh	1
NPE10-87	Front air inlet mesh	1
NPE10-88	Front upper mesh	1