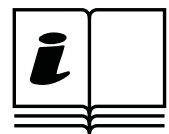




**ST-02-230-E / ST-02-240-E / ST-03-230-E /  
ST-033-230-E / ST-05-400-E / ST-09-400-E**

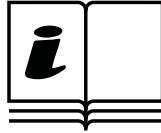


**Industrial Electric Heater**



ENGLISH

GB

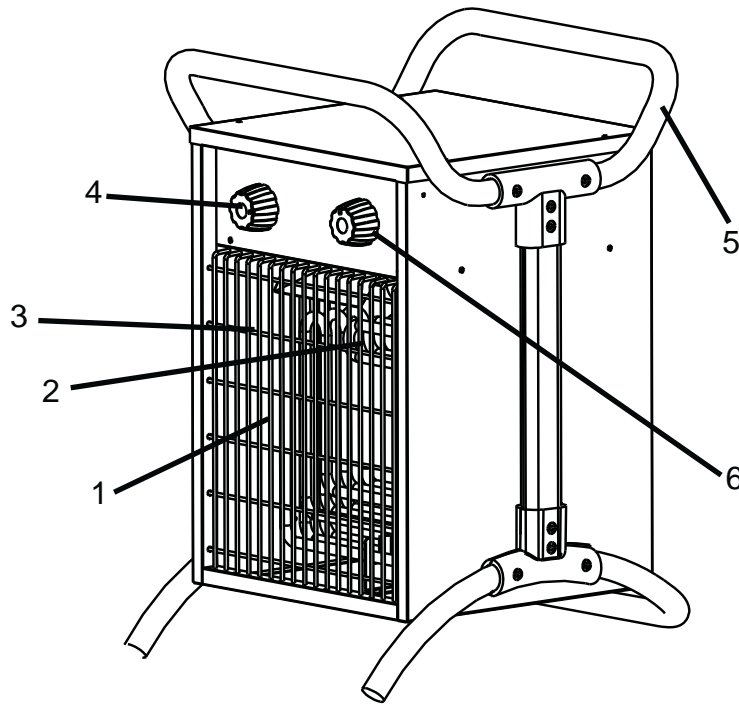


**Read The Instruction manual: When this symbol is marked on a product, it means that the instruction manual must be read.**

---



**In order to avoid overheating, do not cover the heater.**



- GB**
1. Front Guard
  2. Fan
  3. Heat Coil
  4. Function Selector
  5. Handle
  6. Thermostat

**GB**

### SPECIFICATIONS

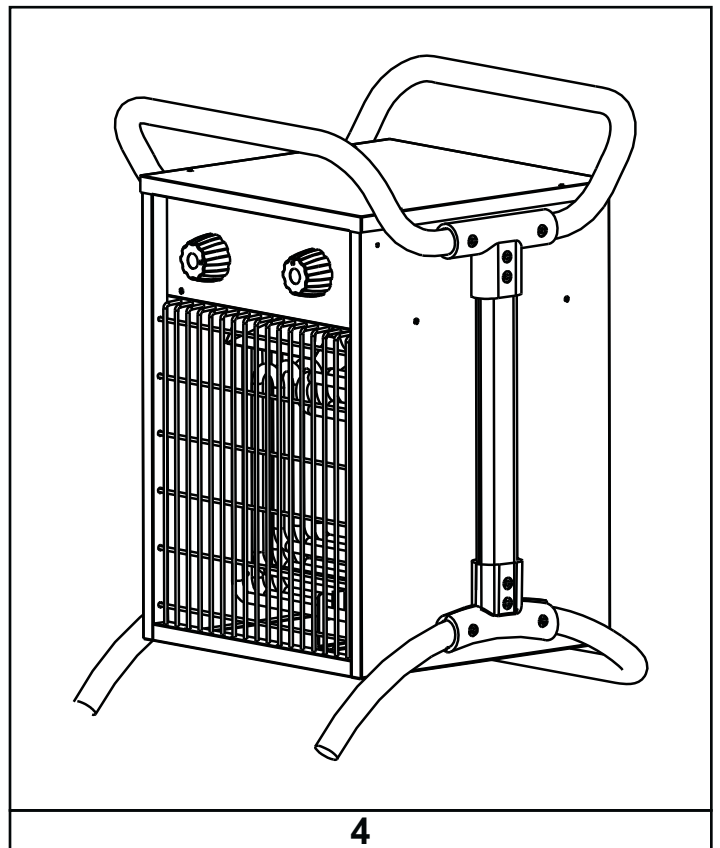
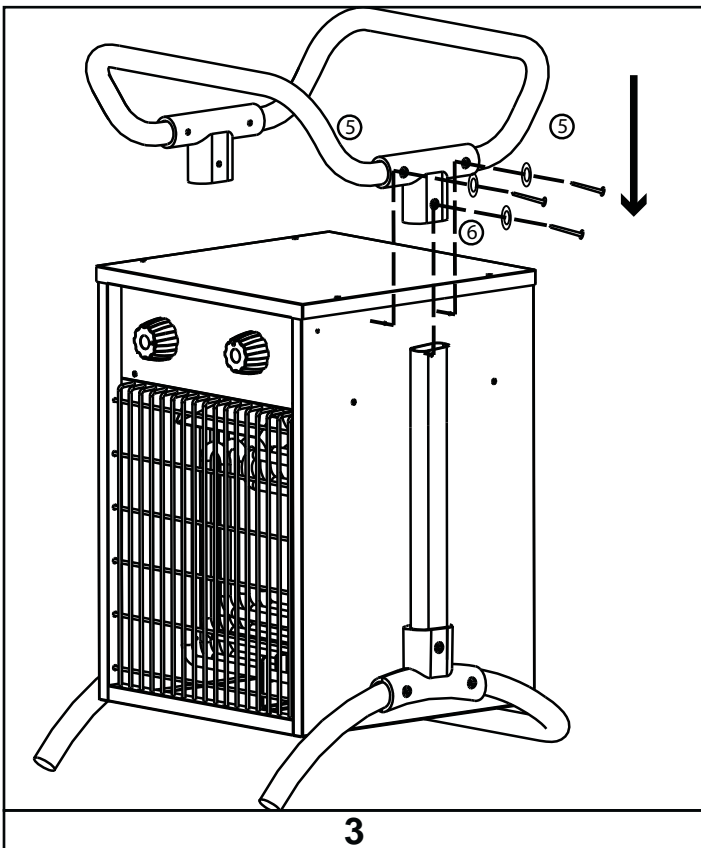
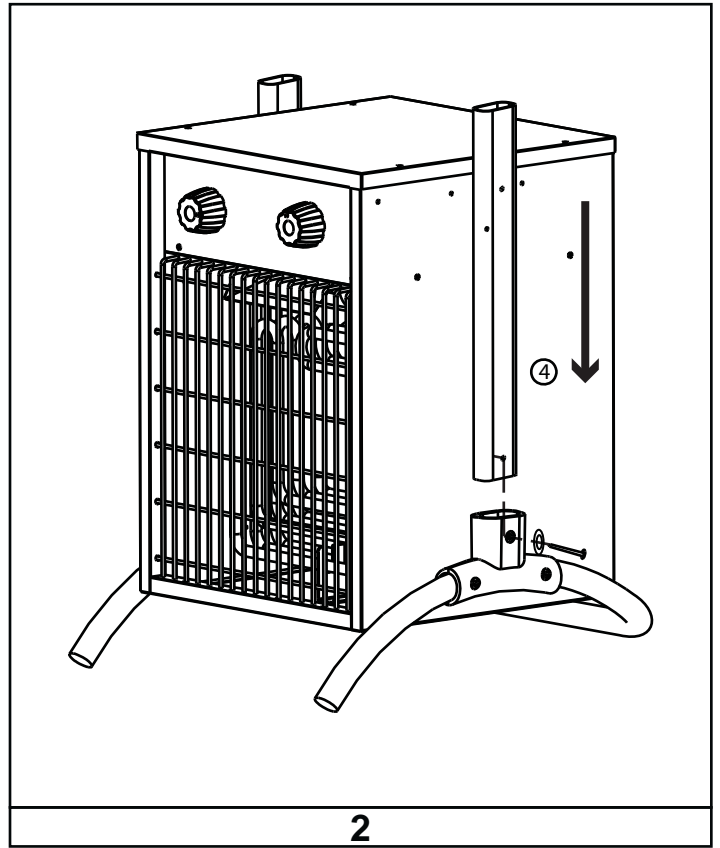
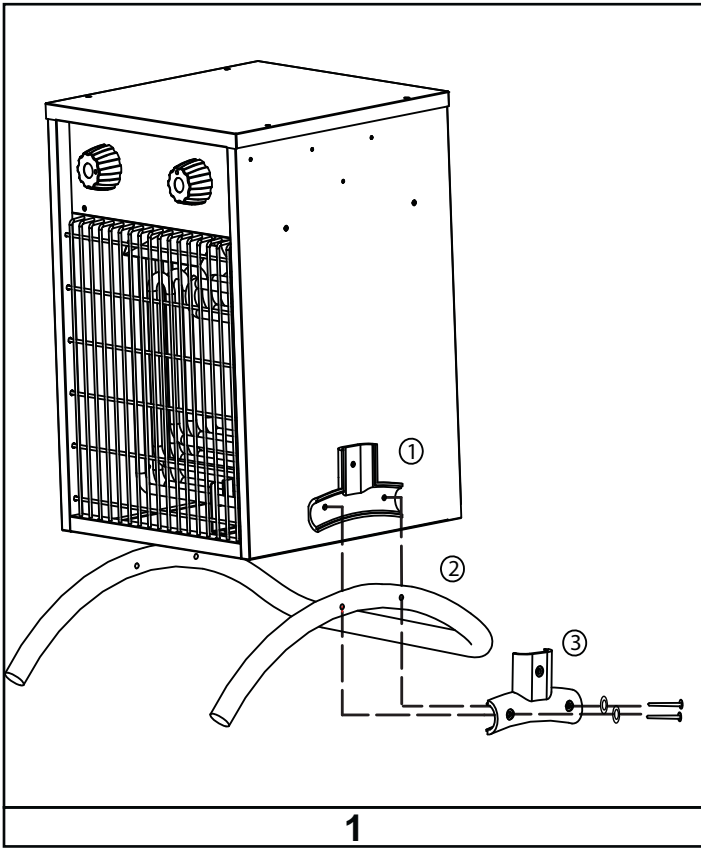
Specifications subject to change without notice

	ST-02-230-E	ST-02-240-E	ST-03-230-E	ST-033-230-E	ST-05-400-E	ST-09-400-E
THERMAL POWER (kW)	2.0	2.0	3.0	3.3	5.0	9.0
THERMAL POWER (BTU)	6,820	6,820	10,250	11,250	17,060	30,710
AIR FLOW (m <sup>3</sup> /H)	186	186	540	476	530	708
HEATING AREA (m <sup>2</sup> )	20	20	30	33	50	90
POWER (Volt / Hz)	220-240V~50Hz	220-240V~50Hz	220-240V~50Hz	220-240V~50Hz	400V~50Hz	400V~50Hz
HEAT SETTINGS	3	3	2	2	2	2
INGRESS PROTECTION RATING (IP)	X4	X4	X4	X4	X4	X4

STANLEY and **STANLEY** are trademarks of Stanley Black & Decker, Inc or its affiliates and are used under license by Pinnacle Products International, Inc.

**GB**

## Assembly — Montage








# NEVER LEAVE HEATER UNATTENDED WHILE CONNECTED TO A POWER SOURCE

## Assembly

1. Slide upper handle brackets onto front handle and align holes.
2. Slide rear handle into upper handle brackets and align holes.
3. Slide side support into upper bracket and align holes.
4. Attach upper brackets to heater using 3 screws per side.
5. Place heater on one side.
6. Align lower inner bracket with holes in heater and side support.
7. Attach align holes in Heater leg frame with lower inner bracket.
8. Align lower outer bracket holes with lower inner bracket, and attach using screws.
9. Place heater on opposite side, and repeat steps 6-8.

## Operation

1. Position the fan heater so that it stands upright on a firm, level surface and at a safe distance from wet environments and flammable objects.
2. Connect the fan heater to the proper electrical power.
3. Set the thermostat dial to the maximum temperature.
4. The fan heater will switch on when the function selector dial is set to one of the three power settings.

Setting	Function
	Unit is Off
	Fan Runs - No heating
	Fan Runs - Quarter Power Heating
	Fan Runs - Half Power Heating
	Fan Runs - Full Power Heating
<b>NOTE:</b> ST-03-230-E / ST-033-230-E / ST-05-400-E / ST-09-400-E, the fan will run continuously while the heater is operating. <b>NOTE:</b> ST-02-230-E / ST-02-240-E, the fan will shut off when desired temperature is reached. Fan will not run continuously.	

5. Once the room reaches the desired temperature, turn the thermostat dial back until heating element turns off.

## Automatic Overheat Safety Control

- This heater is equipped with safety internal heat limiting thermostat and overheat protection circuit. When a potential overheat temperature is reached, the system will automatically shut the heater off

## Thermostat Instructions

- At first, set the thermostat to “+” and let the heater operate with full power input. When the room temperature reaches the required value, turn the thermostat to the left until it switches off.
- The thermostat will then switch on and off automatically to control the room temperature according to the preset value and keep the room temperature constant.
- When using the heater for the first time, you may notice a slight emission of smoke. This is quite normal and it stops after a short time. The heating element is made of steel and was coated with a layer of protective oil during production. The smoke is caused by the leftover oil as it is heated.

## Cleaning and Maintenance

- Before cleaning the appliance, disconnect it from the outlet and let it cool down.
- The enclosure is easy to get dirty. Wipe it often with a soft sponge. For very dirty parts, wipe with a sponge dipped in < 50°C water and mild detergent, then dry the heater enclosure with a clean cloth. Be careful not to let the water enter the inside of the appliance
- Clean the coupler, dry and pack it in a plastic bag.
- In order to protect the enclosure, don't splash water onto the heater, and never use a solvent like gasoline, isoamyl acetate, toluene, etc. to clean the heater.
- When you store the heater, let it cool down first and, keep it dry. Then cover it with a plastic bag, put it in the packing box and store it in a dry, ventilated place.

**NEVER LEAVE HEATER UNATTENDED WHILE CONNECTED TO A POWER SOURCE**

## Plug Replacement

**▲ WARNING RISK OF ELECTRIC SHOCK! DISCONNECT FROM POWER BEFORE MAINTENANCE.**

**NOTE: This section only applies to heaters sold or used in Great Britain.**

This appliance is supplied with a BS1363 3 pin plug fitted with a fuse. Should the fuse require replacement, it must be replaced with a fuse with the proper amp rating. (see Technical Specifications page 2) and approved to BS1362.

In the event the mains plug has to be removed/replaced for any reason, please note:

IMPORTANT: The wires in the mains lead are colored in accordance with the following code:

Blue – Neutral    Brown – Live  
Green/Yellow – Earth

As the colors of the wires in the mains lead of this appliance may not correspond with the colored markings identifying the terminals in your plug, proceed as follows:

The blue wire must be connected to the terminal marked with an N or colored black. The brown wire must be connected to the terminal marked with an L or colored red. The green/ yellow wire must be connected to the earthing terminal which is marked with an E or with the earth symbol.

**▲ WARNING Never connect live or neutral wires to the earth terminal of the plug.**

NOTE: If a moulded plug is fitted and has to be removed take great care in disposing of the plug and severed cable, it must be destroyed to prevent engaging into a socket.

## Plug Replacement Wiring Diagram

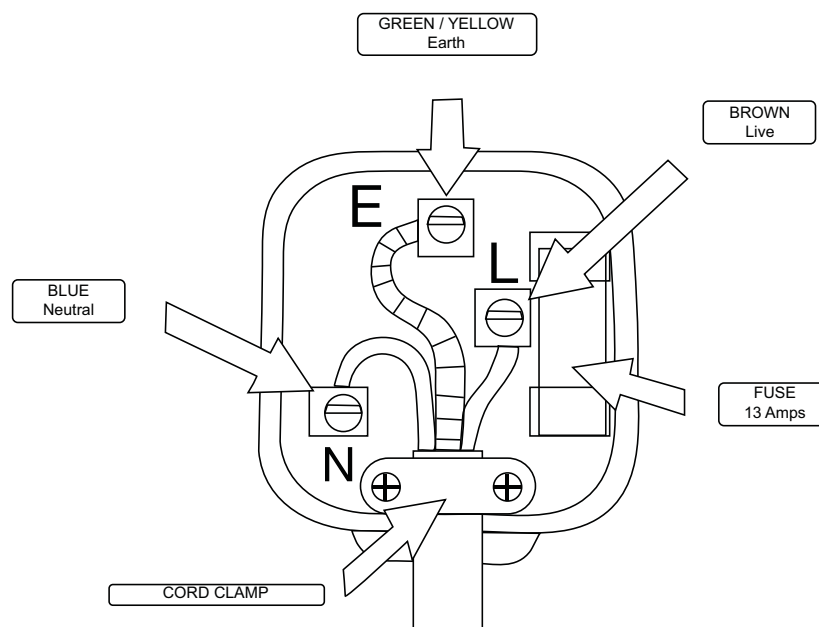


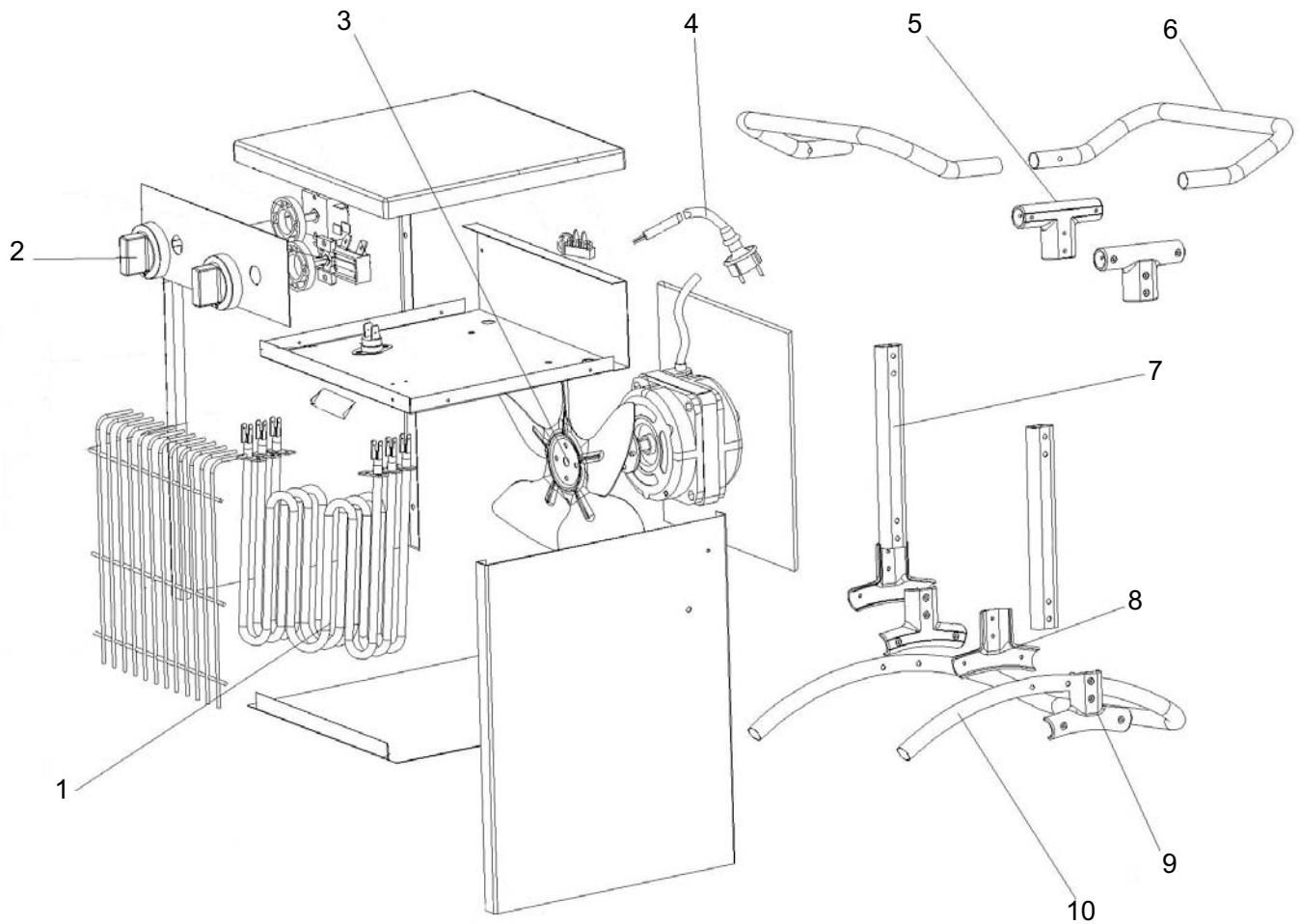
Figure 3

# NEVER LEAVE HEATER UNATTENDED WHILE CONNECTED TO A POWER SOURCE

## Troubleshooting

Problem	Cause	Solution
Fan stays on when heat shuts off.	1. Fan runs continuously while the heater is operating.	1. Heater is operating correctly.
Fan speed stays the same when changing settings.	1. Fan speed stays constant. Setting changes amount of heat output only.	1. Heater is operating correctly.
Heating element does not glow red.	1. Heating element is made of stainless steel and will not glow red to produce heat.	1. Heater is operating correctly.
Do not feel heat or air flow.	1. No power to heater. 2. Desired room temperature reached. 3. Heater does not heat area in front of heater, it will disperse heat throughout room to heat entire space.	1. Check power connections / connect heater to power supply. 2. Thermostat will shut off once desired room temperature is reached. Heater is operating correctly. 3. Heater is operating correctly.

## Exploded View



## Parts List

#	ST-02-230-E	ST-02-240-E	ST-03-230-E	ST-033-230-E	ST-05-400-E	ST-09-400-E
1	82-016-0105	82-016-0105	82-016-0105	82-016-0105	82-016-0205	82-016-0205
2	82-017-0205	82-017-0205	82-017-0205	82-017-0205	82-017-0205	82-017-0205
3	82-005-0105	82-005-0105	82-005-0155	82-005-0155	82-005-0205	82-005-0255
4	82-025-0105	82-025-0105	82-025-0105	82-025-0105	82-025-0105	82-025-0105
5	82-015-0365	82-015-0365	82-015-0365	82-015-0365	82-015-0365	82-015-0365
6	82-015-0105	82-015-0105	82-015-0105	82-015-0105	82-015-0105	82-015-0155
7	82-015-0305	82-015-0305	82-015-0315	82-015-0315	82-015-0315	82-015-0355
8	82-015-0375	82-015-0375	82-015-0375	82-015-0375	82-015-0375	82-015-0375
9	82-015-0385	82-015-0385	82-015-0385	82-015-0385	82-015-0385	82-015-0385
10	82-015-0205	82-015-0205	82-015-0205	82-015-0205	82-015-0205	82-015-0255





Stanley and **STANLEY** are registered trademarks of the Stanley Black and Decker, Inc. or its affiliates and are used under license by Pinnacle Products International, Inc.

Pinnacle Products International, Inc.  
Yardley, PA USA  
[www.pinnacleint.com](http://www.pinnacleint.com)

© 2013 Stanley Black & Decker, Inc.