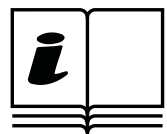




ST-602-WS-E / ST-603-WS-E

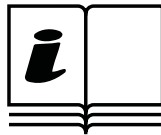


Workshop Electric Fan Heater



ENGLISH

GB

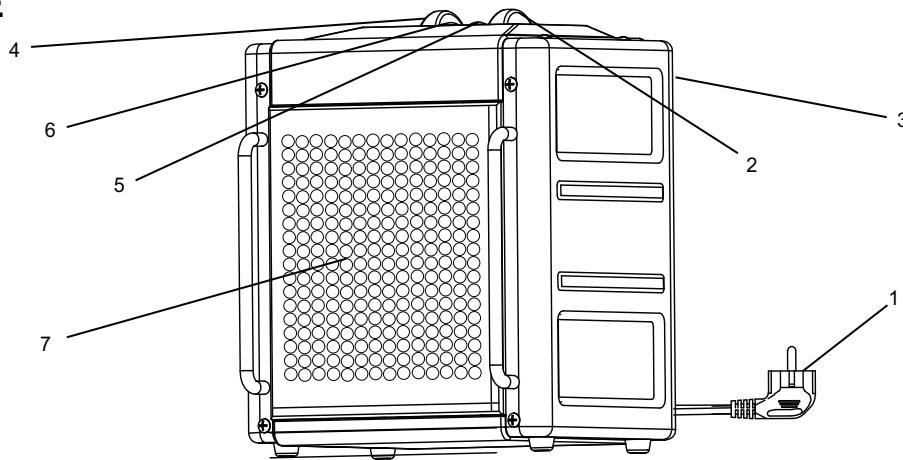


Read The Instruction manual: When this symbol is marked on a product, it means that the instruction manual must be read.



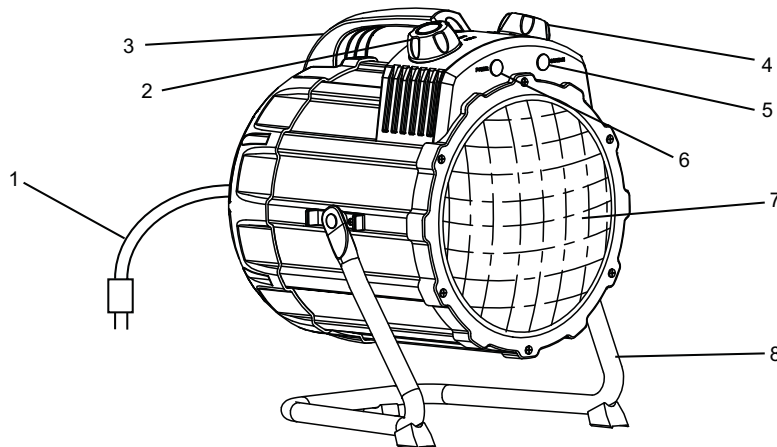
In order to avoid overheating, do not cover the heater.

ST-602-WS-E



- GB**
1. Power Cable
 2. Function Selector
 3. Handle
 4. Thermostat Knob
 5. Caution Light
 6. Power Light
 7. Front Guard

ST-603-WS-E



- GB**
1. Power Cable
 2. Function Selector
 3. Handle
 4. Thermostat Knob
 5. Caution Light
 6. Power Light
 7. Front Guard
 8. Heater Stand

SPECIFICATIONS

Specifications subject to change without notice

	ST-602-WS-E	ST-603-WS-E
THERMAL POWER (kw)	2.0	2.0
THERMAL POWER (Btu)	6,828	6,828
AIR FLOW (CMH)	161	85
HEATING AREA (cu. m)	6	6
POWER (Volt / Hz)	220V - 240V / 50Hz	220V - 240V / 50Hz
HEAT SETTINGS	2	2
INGRESS PROTECTION RATING (IP)	IP44	IP44

Safety Features

AUTOMATIC TIP-OVER SAFETY SWITCH

The tip-over switch is located inside the cabinet housing. The tip-over safety switch allows the unit to operate only when the heater is placed on a level surface. If the heater is tipped or tilted while in operation, it will automatically shut off.

AUTOMATIC OVERHEAT SAFETY CONTROL

This heater is equipped with safety internal heat limiting thermostat and overheat protection circuit. When a potential overheat temperature is reached, the system will automatically shut the heater off and turn the alert light on.

ALERT INDICATOR LIGHT

The alert light will turn on when the heater internal temperature rises to an unsafe level. If this situation occurs, make sure the heater is on a level surface and clear of all obstructions. Unplug the heater and allow it to “cool down” before restarting.

Operation

Position the fan heater so that it stands upright on a firm surface and at a safe distance from wet environments and flammable objects.

Connect the fan heater to the electrical power.

Set the thermostat dial to the maximum temperature.

The fan heater will switch on when the function selector dial is set to one of the two power settings.

Once the room reaches the desired temperature, turn the thermostat dial back until heating element turns off. The fan will still continue to run. The thermostat is now set at your desired temperature, and the heater will continue to maintain a constant temperature.

Cleaning and Maintenance

Before cleaning the appliance, disconnect it from the outlet and let it cool down.

The enclosure is easy to get dirty. Wipe it often with a soft sponge. For very dirty parts, wipe with a sponge dipped in < 50°C water and mild detergent, then dry the heater enclosure with a clean cloth. Be careful not to let the water enter the inside of the appliance.

Clean the coupler, dry and pack it in a plastic bag.

In order to protect the enclosure, don't splash water onto the heater, and never use a solvent like gasoline, isoamyl acetate, toluene, etc. to clean the heater.

When you store the heater, let it cool down first and, keep it dry. Then cover it with a plastic bag, put it in the packing box and store it in a dry, ventilated place.

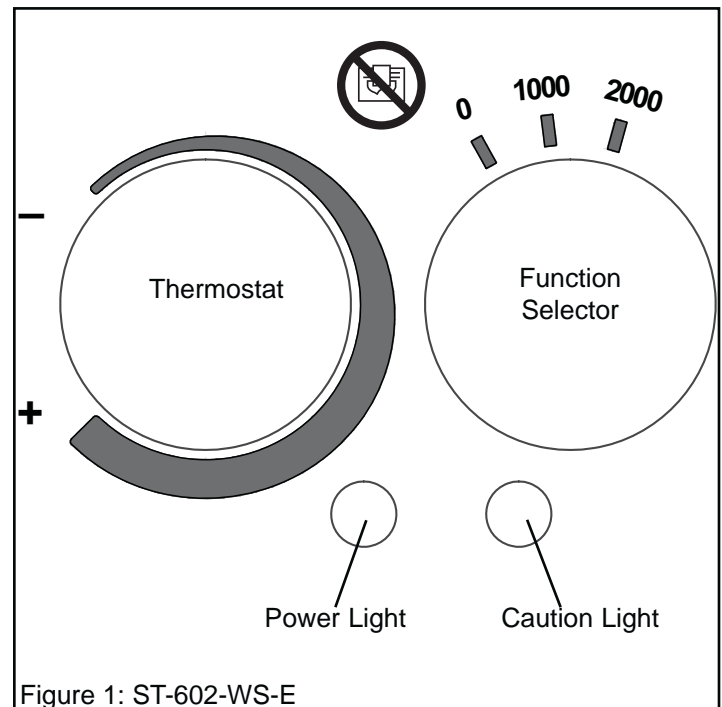


Figure 1: ST-602-WS-E

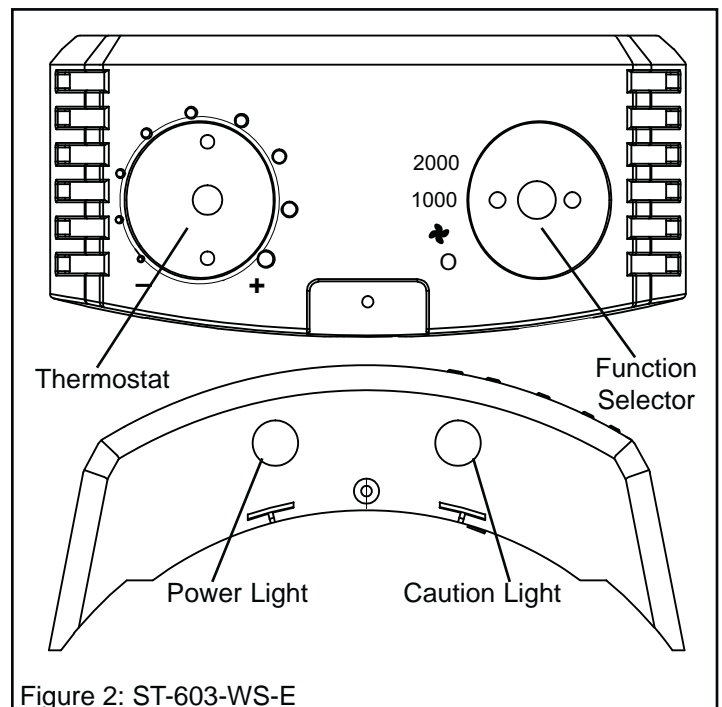


Figure 2: ST-603-WS-E

Plug Replacement

▲WARNING RISK OF ELECTRIC SHOCK! DISCONNECT FROM POWER BEFORE MAINTENANCE.

NOTE: *This section only applies to heaters sold or used in Great Britain.*

This appliance is supplied with a BS1363 3 pin plug fitted with a fuse. Should the fuse require replacement, it must be replaced with a fuse with the proper amp rating. (see Technical Specifications page 2) and approved to BS1362.

In the event the mains plug has to be removed/replaced for any reason, please note:

IMPORTANT: The wires in the mains lead are colored in accordance with the following code:

Blue – Neutral Brown – Live
Green/Yellow – Earth

As the colors of the wires in the mains lead of this appliance may not correspond with the colored markings identifying the terminals in your plug, proceed as follows:

The blue wire must be connected to the terminal marked with an N or colored black. The brown wire must be connected to the terminal marked with an L or colored red. The green/ yellow wire must be connected to the earthing terminal which is marked with an E or with the earth symbol.

▲WARNING Never connect live or neutral wires to the earth terminal of the plug.

NOTE: If a moulded plug is fitted and has to be removed take great care in disposing of the plug and severed cable, it must be destroyed to prevent engaging into a socket.

Plug Replacement Wiring Diagram

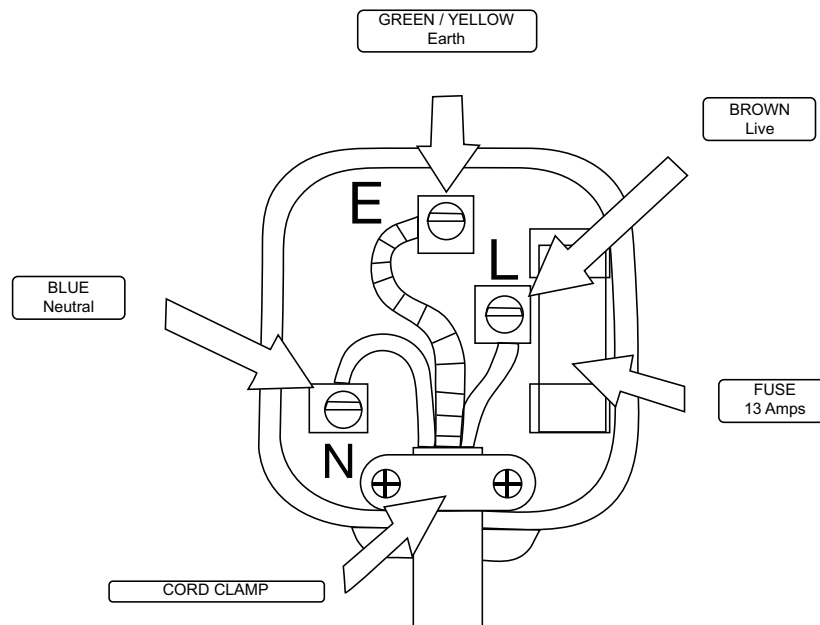


Figure 3